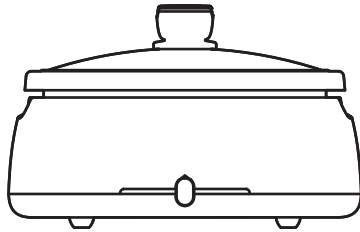




Electric Skillet



Instruction Manual

Model: MEC-1040W

IMPORTANT NOTE: Please read the instructions carefully before use the machine.
Please properly retention of the instructions for your future reference.

IMPORTANT SAFEGUARDES 3
PARTS AND FEATURES 5
HOW TO USE 6
CLEANING AND MAINTENANCE 7
SELF-INSPECTION FOR ABNORMALITIES 7
WARRANTY 8

Read This Manual

Inside you'll find many helpful hints on how to use and maintain your Electric Skillet properly. Just a little preventive care on your part can save you a great deal of time and money over the life of your appliance. These instructions may not cover every possible condition of use, so attention to safety details is required when operating and maintaining this product.



CAUTION

- This appliance is not intended for use by people (including children) with reduced physical, sensory, or mental capabilities or lack of experience and knowledge, unless they have been provided with supervision or instruction concerning use of the appliance by a person responsible for their safety.
- Children should be supervised to ensure that they do not play with the appliance.
- The appliance shall be installed in accordance with national wiring regulations.

Welcome

You are about to see how quick, easy, and delicious healthy eating can be! Please read all the safety information, warnings, and instructional material found in this booklet before getting start. Set your machine on a dry, level surface. Then, follow the cleaning instructions to prepare your machine for use. Always clean your machine before the first use.

IMPORTANT SAFEGUARDES

When using your electrical appliances, basic safety precautions should always be followed to reduce the risk of fire, electric hazard and injury to persons, including the following.

1. Read all instructions.
2. Do not touch hot surface. Use handles or buttons of control panel. The unit body will become very hot during long-time using, handle it carefully.
3. Close supervision is necessary when any appliance is used by or near children.
4. To protect against electrical shock, do not immerse cord, plug, or cooker body in water or other liquid.
5. Unplug from outlet when not being used and before cleaning. Allow to cool before putting on or taking off parts, and before cleaning the appliance.
6. Do not operate any appliance with a damaged cord or plug or after the appliance malfunctions or has been damaged in any manner. Return appliance to the nearest authorized service facility for examination, repair, or adjustment.
7. The use of accessory attachment not recommended by the appliance manufacturer may cause injuries.
8. Intended for countertop use only.
9. Do not use the appliance for other than intended use.
10. Do not use outdoors.
11. Extreme caution must be used when moving an appliance containing hot oil or other hot liquids.
12. Do not let cord hang over edge of table and counter, or touch hot surface.
13. A short power-supply cord is used to reduce the risk resulting from it being grabbed by children, becoming entangled in, or tripping over a longer cord.
14. **WARNING:** Spilled food can cause serious burns. Keep appliance and cord away from children. Never drape cord over edge of counter, never use outlet below counter, and never use with an extension cord.
15. Prior to first use, please make sure that the electric rating of the appliance is in conformity with the current electric rating.
16. To disconnect, turn the control to “off”, then remove plug from wall outlet.
17. **DO NOT** place unit on or near a hot gas or electric burner, or in a heated oven.
18. Only carry the electric skillet from the side handles on the cooking base.
19. This appliance has a polarized plug (one blade is wider than the other). To reduce the risk of electric shock, this plug is intended to fit into a polarized outlet only one way. If the plug does not fit fully into the outlet, reverse the plug. If it still does not fit, contact a qualified electrician. Do

IMPORTANT SAFEGUARDES

not attempt to modify the plug in any way

20. HOUSEHOLD USE ONLY.

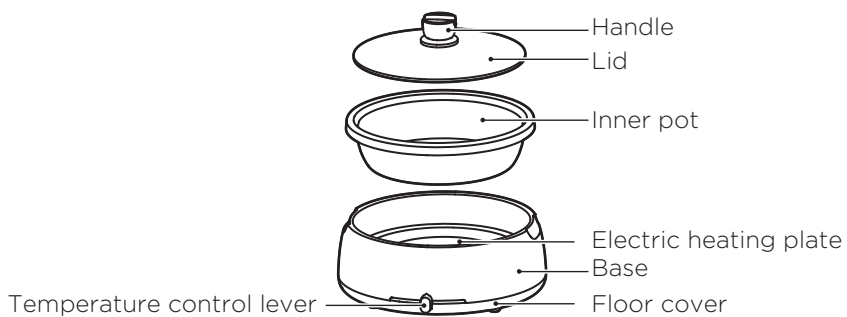
21. Appliances are not intended to be operated by means of an external timer or separate remote-control system.

Warning: potential injury may cause from misuse. The heating element surface is subject to residual heat after use.

SAVE THESE INSTRUCTIONS

PARTS AND FEATURES

Main Engine

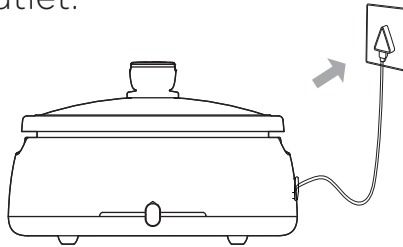


Product Information

Product model	Rated voltage	Rated power
MEC-1040W	220-240V-50Hz/60Hz	1300W

HOW TO USE

1. Plug the power cord into a wall outlet.



NOTE:

- It is normal for components to squeak when the components contract and expand in use due to internal temperature changes.
- When the product is used for the first time, a small amount of soot may be evaporated, which is normal.

CLEANING AND MAINTENANCE

- Please be sure to unplug the power cord plug after each use, wait for a few minutes after power has been turned off, and then wipe it with a damp cloth. If it is stored for a long time, it should be cleaned with detergent.
- Do not use abrasive cleaning products or solvents for cleaning.
- Pour out the oil in the electric product after use, and change the clean oil each time before it is used for frying or boiling.
- Do not put the product in water for cleaning in case of electric shock and malfunction.
- Dry all components before storage and put the product in a safe and dry place.

SELF-INSPECTION FOR ABNORMALITIES

Serial Number	Abnormal Phenomena		Cause	Check Points and Troubleshooting
1	Working light is not on	The heating plate stops functioning	<ol style="list-style-type: none"> 1. The power supply is not connected 2. Internal wire is disconnected 3. Indicator light is damaged 4. The electric heating pipe is burned out 5. The temperature controller is damaged 	<ol style="list-style-type: none"> 1. Check whether the switches, plugs, sockets, power leads are intact or not, and ensure that the plugs and sockets are in right place. 2, 3, 4, 5 send to the designated maintenance department for maintenance
		The heating plate starts functioning	Switch indicator light is damaged.	Send to the designated maintenance department for maintenance
2	Working light is on	The heating plate stops functioning	<ol style="list-style-type: none"> 1. The electric heating pipe is damaged 2. The temperature controller is damaged 3. Internal wire is disconnected 	Send to the designated maintenance department for maintenance
3	The working light on the panel is always on.		<ol style="list-style-type: none"> 1. The temperature controller is damaged 2. The heating pipe of lower plate is damaged. 	Send to the designated maintenance department for maintenance
4	Automatic temperature limit is not available		<ol style="list-style-type: none"> 1. The temperature controller is damaged 2. The wire of thermostat is loosened 	Send to the designated maintenance department for maintenance

Remarks:

If the product with a reset button on the back of the thermostat bar fails, please press the reset button using a suitable appliance. If the product still fails to work, please remove the faults according to the above self-check table.

LIMITED ONE YEAR WARRANTY

This is the only express warranty for this product and is in lieu of any other warranty or condition.

This product is warranted to be free from defects in material and workmanship for a period of one (1) year from the date of original purchase. During this period, your exclusive remedy is repair or replacement of this product or any component found to be defective, at our option; however, you are responsible for all costs associated with returning the product to us and our returning the product or component under this warranty to you. If the product or component is no longer available, we will replace with a similar one of equal or greater value.

This warranty does not cover glass, filters, wear from normal use, use not in conformity with the printed directions, or damage to the product resulting from accident, alteration, abuse or misuse. This warranty extends only to the original consumer purchaser or gift recipient. Keep tile original sales receipt, as proof of purchase is required to make a warranty claim. This warranty is void if product is used for other than single-family household use or subjected to any voltage and waveform other than as specified on the label (e.g., 120V~).

We exclude all claims for special, incidental, and consequential damages by breach of express or implied warranty. All liability is limited to amount of the purchase price. Every implied warranty, including any statutory warranty or condition of merchantability or fitness for particular purpose, is disclaimed except to the extent prohibited by law, in which case such warranty or condition is limited to the duration of this written warranty.

This warranty gives you specific legal rights. You may have other legal rights that vary depending on where you live. Some states or provinces do not allow limitations on implied warranties or special, incidental consequential damages, so tile foregoing limitations may not apply to you.

NOTICE

Customer Service Management Office:

5 Sylvan Way, Suite 100 Parsippany, NJ, 07054

Amazon Store: <https://www.amazon.com/comfee>

Tel: 866-646-4332

E-mail: officialservice@comfeeappliance.com